

OU 500

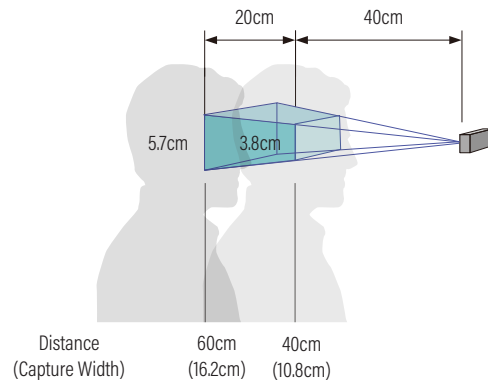
Multi-Biometric Capture Module



Feature

- Advanced Face and Iris Recognition Module
- Compact and Lightweight Design
- Multi-Sensor USB Camera System
- Simultaneous Auto-Focus Capture of Iris and Face Images less than 1 second
- Dual Iris Capture with NIR Illumination
- Iris ID Matching Algorithm (optional)
- Seamless Integration using Device Control SDK
- Windows and Android OS Support
- Operator User Guidance
- Multi-Color LED Status Indicator
- Advanced Power Management with USB-C Active Power Standards

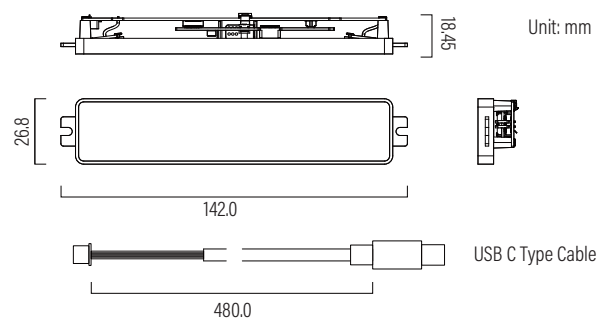
Capture Volume



Specification

| | | |
|----------------------|--|---|
| Imaging System | Capture Modalities | Iris + Face (Simultaneous Capture) |
| | Iris Sensor | CMOS (Monochrome) ISO 29794-6 Standard Compliant (IAP30) |
| | Face Sensor | CMOS (Color) ISO 19794-5 Standard Compliant Full Frontal Image |
| | Focusing Technology | ToF Assisted Iris & Face Auto Focus |
| | Capture Range | 400 – 600mm (15.7" – 23.6") |
| | Capture Speed | < 1 second within Operating Range |
| | Illumination | 810nm NIR LED |
| Connectivity & Power | Interface | USB 3.0 / USB 2.0 High-Speed Compatible |
| | Power Supply | USB Cable, 5V DC |
| | Power Consumption | Max 4.5W (5V, 900mA) |
| | Integration | Device Control SDK for Windows and Android |
| | Power Mode | Standby, Capture, Sleep, Power-off, Wake-up |
| Mechanical | Dimensions (W x H x D) | 142mm x 26.8mm x 16.6mm (5.59" x 1.06" x 0.65") |
| | Mounting Brackets for Various OEM Enclosure Mounting | |
| Environmental | Operating Temperature | 0°C – 45°C (32°F – 113°F) |
| | Storage Temperature | -20°C – 95°C (-4°F – 203°F) |
| | Humidity | 5% – 95% RH, Non-condensing |

Mechanical Drawing



Iris ID Systems, Inc.
8 Clarke Drive, Cranbury, NJ 08512, USA
Tel. 609-819-IRIS(4747) Fax. 609-819-4736
www.irisid.com



© Iris ID Systems, Inc. All rights reserved. Design and specifications subject to change.